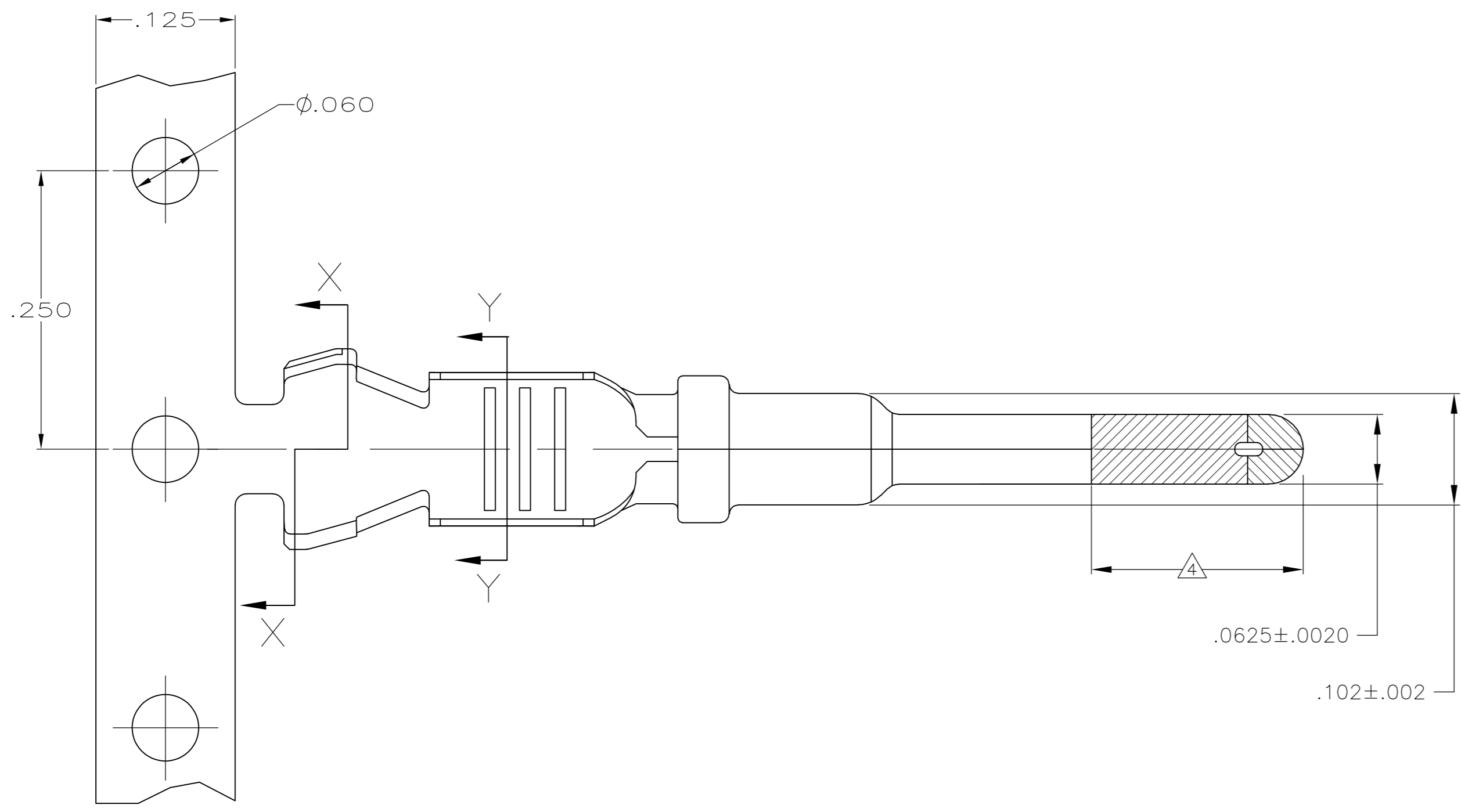
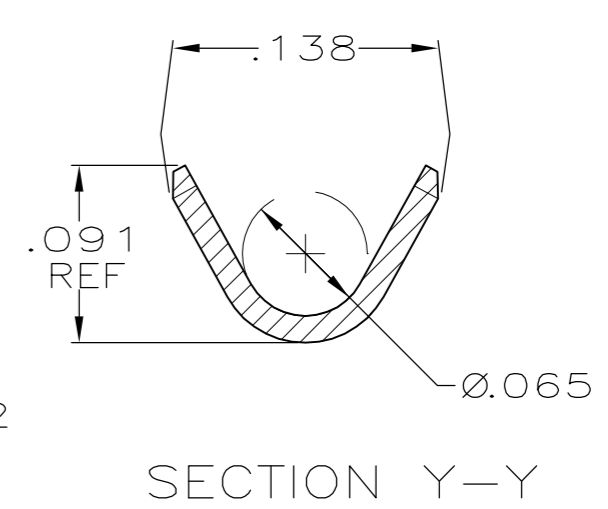
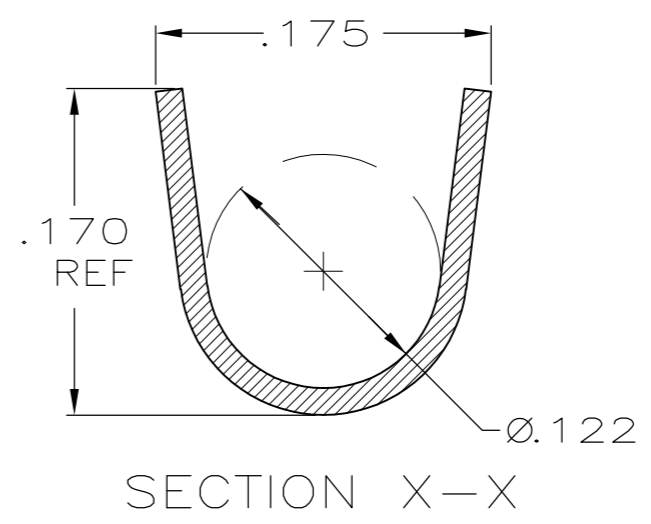
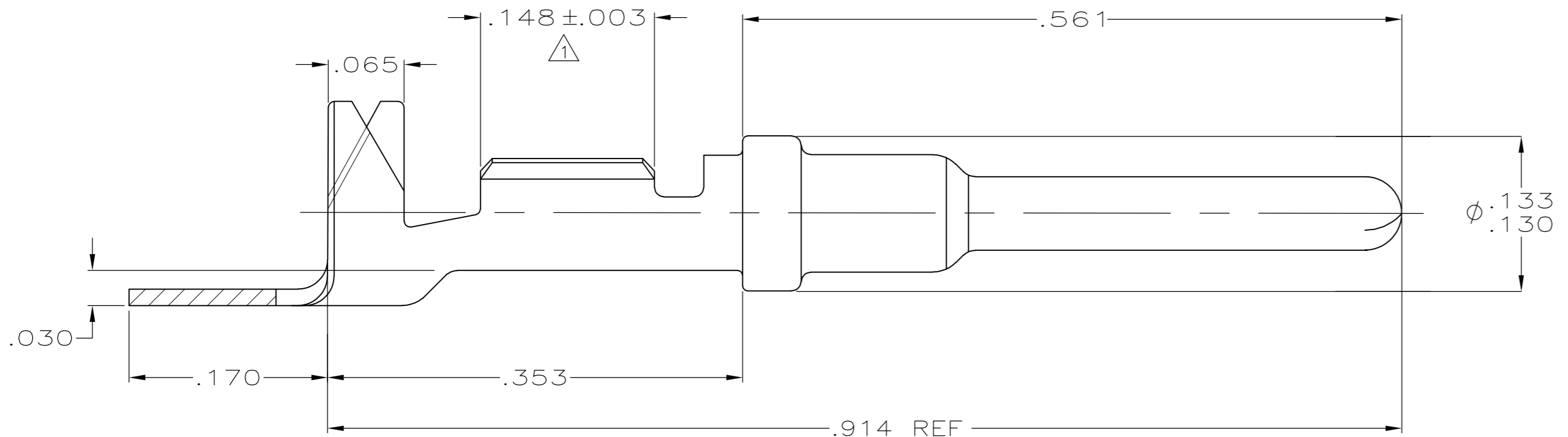


THIS DRAWING IS UNPUBLISHED. RELEASED FOR PUBLICATION
 © COPYRIGHT - By - ALL RIGHTS RESERVED.

LOC	DIST	REVISIONS					
GE	00	P	LTR	DESCRIPTION	DATE	DWN	APVD
		C2		REVISED PER ECO-11-005030	11MAR11	RK	HMR



- 1. FINISH : PLATE 0.000100-0.000200 THK TIN IN LOCALIZED TIN PLATE AREA, ALL OVER 0.000040-0.000080 THK NICKEL.
- 2. CONTACT WILL BE LUBED WITH LUBRICANT PER P/N 22014-4.
- 3. WIRE RANGE: 20-18 AWG WITH INSULATION DIAMETERS OF 0.089 - 0.131 INCHES.
- 4. PLATE 0.000030 MIN THK SELECT GOLD IN LOCALIZED PLATE AREA.



$\triangle 1$	776349-3
$\triangle 1 \triangle 4$	776349-1
FINISH	PART NUMBER

THIS DRAWING IS A CONTROLLED DOCUMENT.		DWN	P. YEAGER	22FEB00	STE TE Connectivity		
DIMENSIONS: INCHES		CHK	W. LONG	22FEB00			
TOLERANCES UNLESS OTHERWISE SPECIFIED:		APVD	W. LONG	22FEB00	NAME		
0 PLC ± -		PRODUCT SPEC		PIN CONTACT			
1 PLC ± -		APPLICATION SPEC		-			
2 PLC ± .02		WEIGHT		-			
3 PLC ± .005		SIZE		CAGE CODE		DRAWING NO	
4 PLC ± -		A2		00779		C=776349	
ANGLES ± -		CUSTOMER DRAWING		SCALE		SHEET	
FINISH		10:1		1 of 1		REV	
MATERIAL		0.014 THK.CU.ALLOY		C2		-	